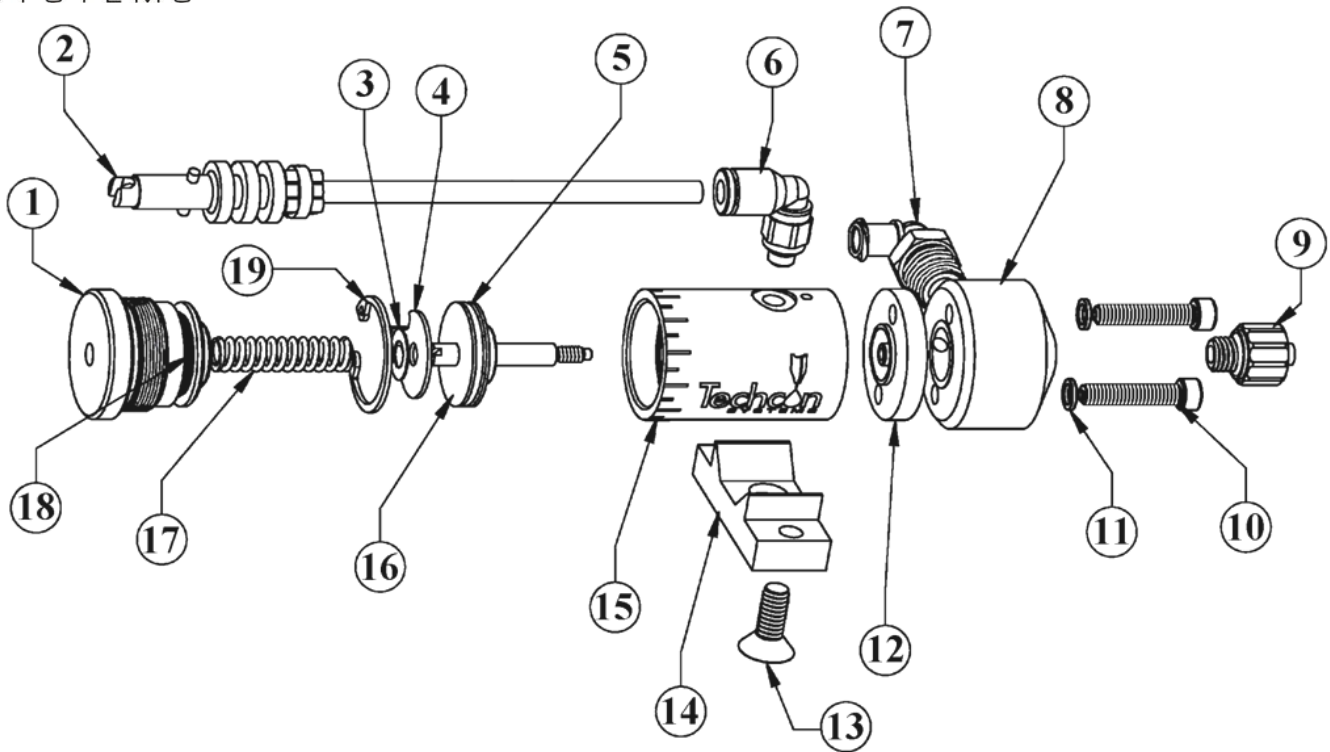


TS5622 Series Vertical Diaphragm Valve



Diaphragm Kit = 5620TFE-DKIT (TS5622VT) or 5620UHMW-DKIT (TS5622VD/TS5622VU)

Includes 1 x 5, 12, 17 and 18

Fluid Housing Kit = 5622VT-FHKIT (TS5622VT) or 5622VD-FHKIT (TS5622VD) or 5622VU-FHKIT (TS5622VU)

Includes 1 x 7, 8, 9, 2 x 10 and 2 x 11 (No washers required for TS5622VD)

Lubrication: All O-Rings & seals must be lubricated with Bimba HT-99, or equivalent, with the exception of the Diaphragm, which must remain dry.

Body Mounting Screw Torque: Acetal (Delrin®) requires 14 in lb (1.58 N-m), UHMW requires 7 in lb (0.79 N-m) and Teflon® requires 5 in lb (0.56 N-m).

Item	Part Number	Description	Item	Part Number	Description
1	5620-000-004	End Cap	10	TSD1103-336	Fluid Housing Screw
2	A0100478	Air Hose/Connector Assy, 4mm	11	TSD1109-53	Flat Washer
3	TSD1109-43	Mylar Washer	12	5620-000-011	Diaphragm for TS5622VT
4	5620-000-006	Anti-Rotate Washer	12*	5620-000-002	Diaphragm for VU/VD Type
5	TSD1400-016A	Piston O-Ring	13	TSD1106-13	Mounting Screw
6	TSD1003-20	Air Fitting, 4mm, Elbow	14	918-000-048	Mounting Bracket
7	TSD931-75	Luer Lock Adaptor, Elbow	15	5620-000-003	Air Cylinder
8	5622-000-003	Fluid Housing for TS5622VT	16	5620-000-005	Piston
8*	5622-000-001	Fluid Housing for TS5622VU	17	TSD1150-40	Spring
8*	5622D-000-001	Fluid Housing for TS5622VD	18	TSD1400-111A	End Cap O-Ring
9	TSD931-60	Tip Adaptor for TS5622VT/TS5622VU	19	TSD1120-11	Retaining Ring
9*	TSD931-91	Tip Adaptor for TS5622VD			