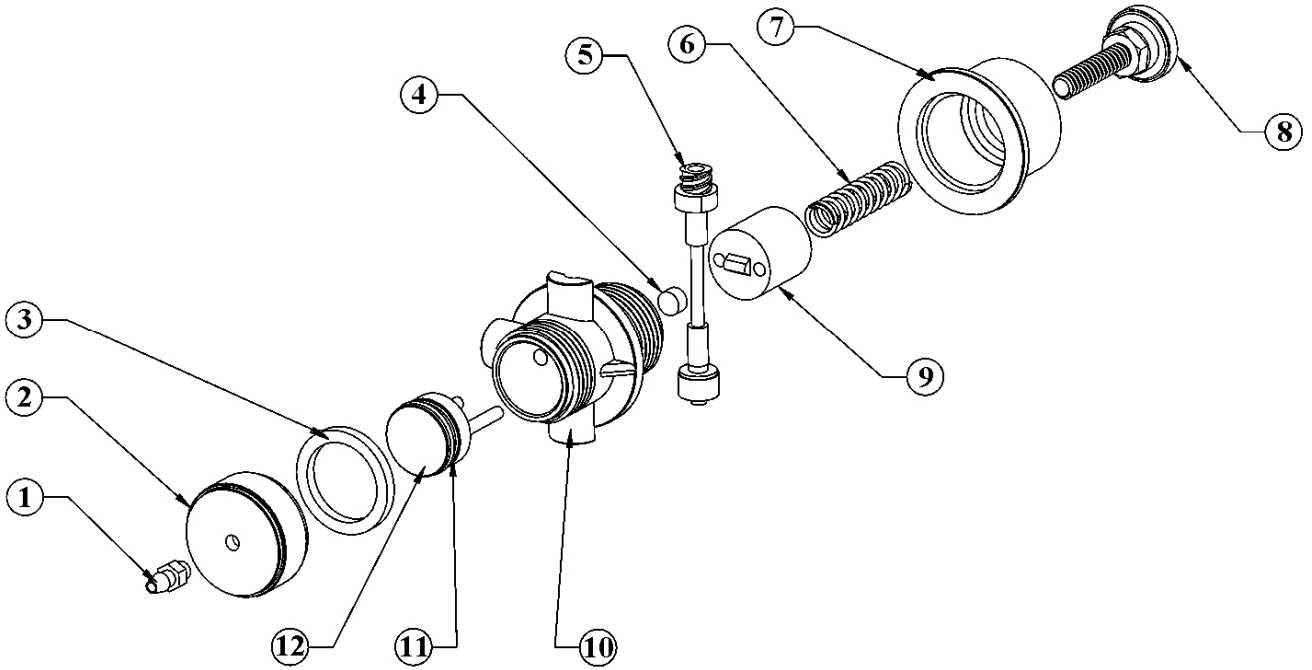


TS1212 Pinch Tube Valve



Lubrication: All O-Rings & seals must be lubricated with Bimba HT-99, or equivalent.

Item	Part Number	Description	Item	Part Number	Description
1	TSD922-19	Barb Fitting	7	1212-000-002	Flange
2	1212-000-003	Cylinder Cap	8	1212-002-000	Adjustment Knob Assy
3	1212-000-007	Gasket	9	1212-000-004	Shut Off Piston
4	1212-000-005	Pinch Cushion	10	1212-000-001	Body
5	SEE CHART	Pinch Tube	11	TSD1399-1	U-Cup Seal
6	3300-0336	Spring	12	1212-003-000	Piston Assembly

Item	Part Number	Description
5*	1212-004-002PK	Pinch Tube, Clear PE, Male to Female, 0.1" (2.54mm) ID
5*	1212-004-002BPK	Pinch Tube, Black PE, Male to Female, 0.1" (2.54mm) ID
5*	1212-004-000PK	Pinch Tube, Clear PE, Male to Female, 0.07" (1.78mm) ID
5*	1212-004-100PK	Pinch Tube, Clear PU, Male to Female, 0.125" (3.18mm) ID
5*	1212-004-100BPK	Pinch Tube, Black PU, Male to Female, 0.125" (3.18mm) ID